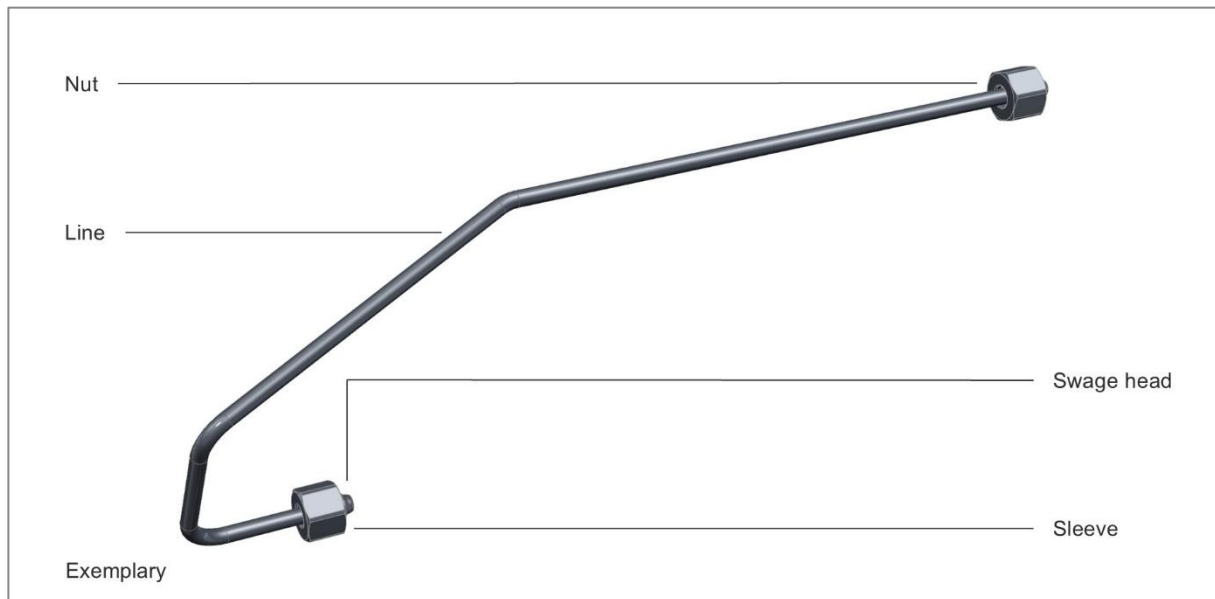


# Product data sheet



## **TOPAQ H<sub>2</sub> Lines (Stainless Steel)**

## Product specification

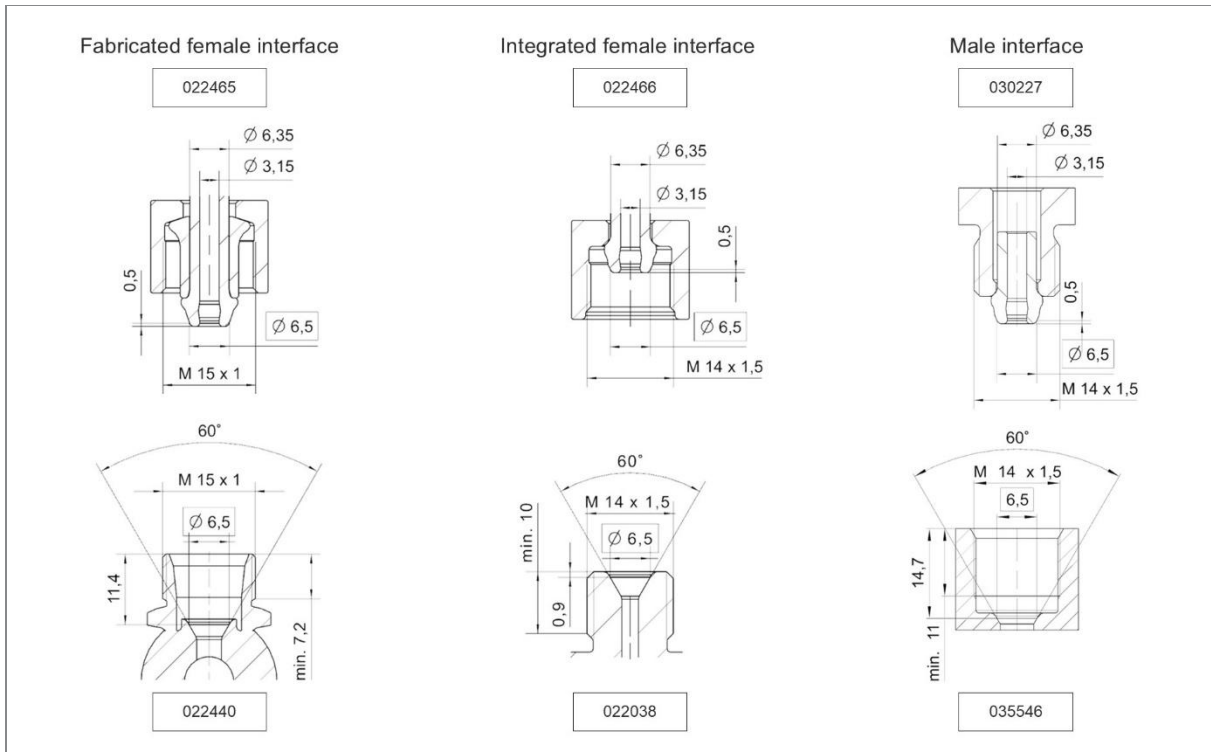


P+P's H<sub>2</sub> lines are used to ensure the safe supply and distribution of hydrogen in mobile and stationary hydrogen applications.

With its certified metallic swage head connection, a reliable re-assembly is guaranteed.

By specifically varying the line dimensions, it is possible to meet the customer's specifications and installation space requirements in the best possible way.

Technical features



The following variants are currently under validation at P+P:

H <sub>2</sub> Lines	
Technical data	
Inner line diameter	3.15 mm
Outer line diameter	6.35 mm
Length line	max. 1.5 m
Material	1.4435
Sealing type	Metal-to-metal
Interfaces   Thread definitions	
Fabricated female interface (022465)   e4*79/2009*406/2010*00079*00	M15x1-6H
Integrated female interface (022466)   e4*79/2009*406/2010*00079*00	M14x1.5-6H
Male interface (030227)   no EC79 type approval	M14x1.5-6H
Operating conditions	
Operating temperature	-40 to +85 °C
Nominal working pressure (50.000 cycles)	up to 700 bar
Burst pressure	> 2480 bar
Medium	Hydrogen
Leakage rate	<10 Ncm <sup>3</sup> /h

Certification & safety information

The product may only be used after installation by qualified personnel according to the corresponding installation guide. Usage for production of commercial goods is only permitted in certified countries. Otherwise, the product may only be used for testing purposes. Storage concept and period must be agreed between P+P and end customer.

Certificates<sup>1)</sup>

Europe

6.35×3.15

EC79/2009, EU406/2010

Certified

UN/ECE R134

n/a<sup>2)</sup>

6.35×3.15

HGV 3.1-2022

Tests passed<sup>3)</sup>

1) This information applies only to tests and certifications of the base line. Fitting-specific information on tests and certifications are given in the previously presented tables for relevant interfaces.

2) UN/ECE R134 does not include specific testing of lines.

3) 6.35×3.15 stainless steel lines were successfully tested according to HGV 3.1-2022 chapter 5 & 19.

**Poppe + Potthoff GmbH**

Dammstraße 17

33824 Werther

Germany

Phone: +49 (0) 5203 91 66 0

Fax: +49 (0) 5203 91 66 100

info@poppe-potthoff.com

www.poppe-potthoff.com

TOPAQ is a Poppe + Potthoff brand

