

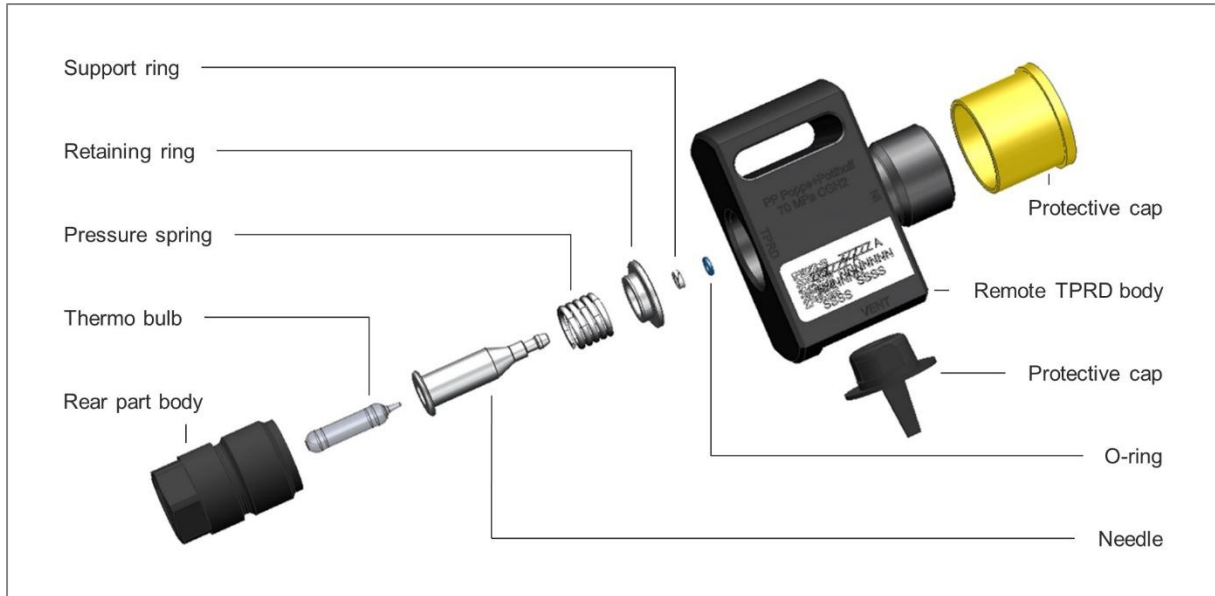
## Product data sheet



## TOPAQ Remote TPRD 1.0

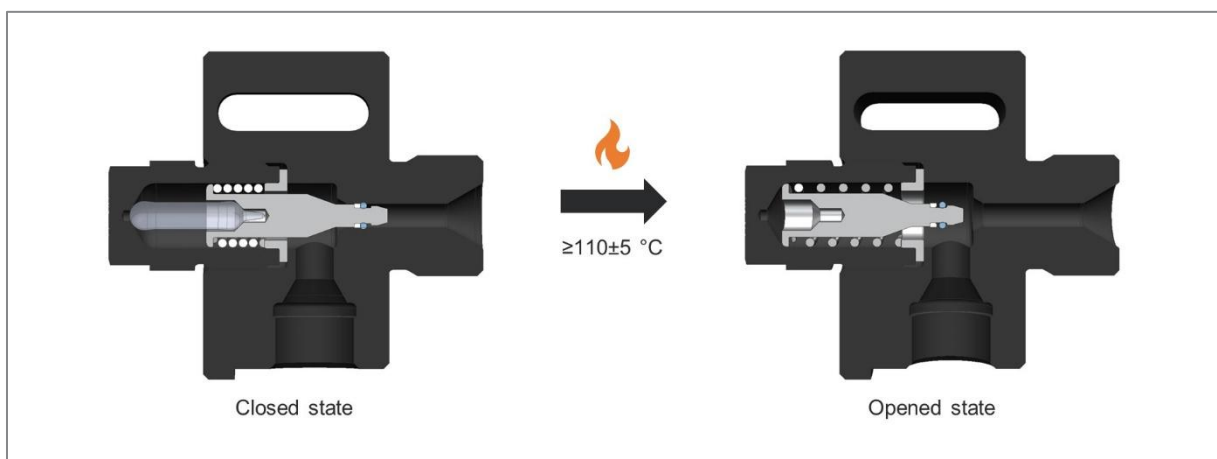
Item No 032330-B

Product specification

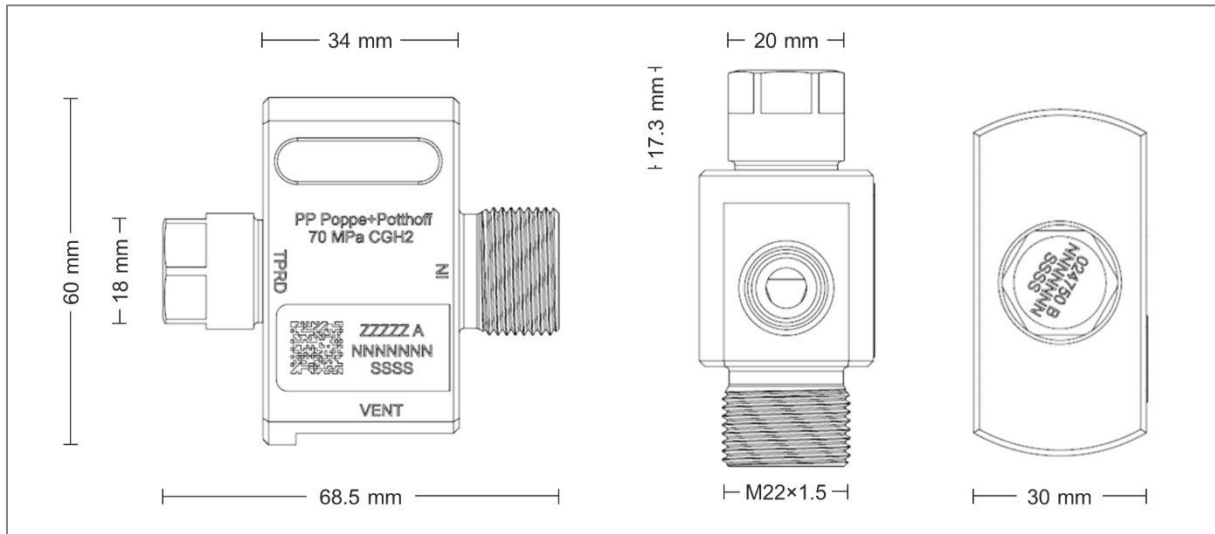


The Remote TPRD (Thermal **P**ressure **R**elief **D**evice) is used to secure gas storage tanks in the event of a fire by ensuring rapid and spatially targeted degassing at elevated temperatures whilst preventing the tanks from bursting.

With its optimized design, it enables the compliance of individual customer requirements with the possibility of usage at various tank positions.



Technical features

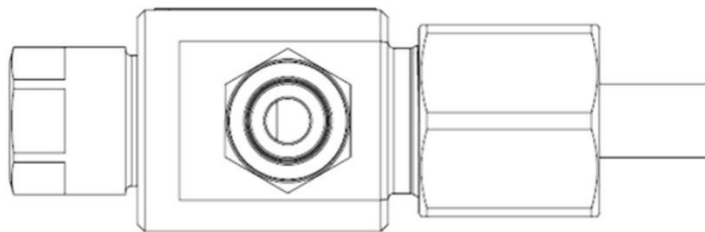
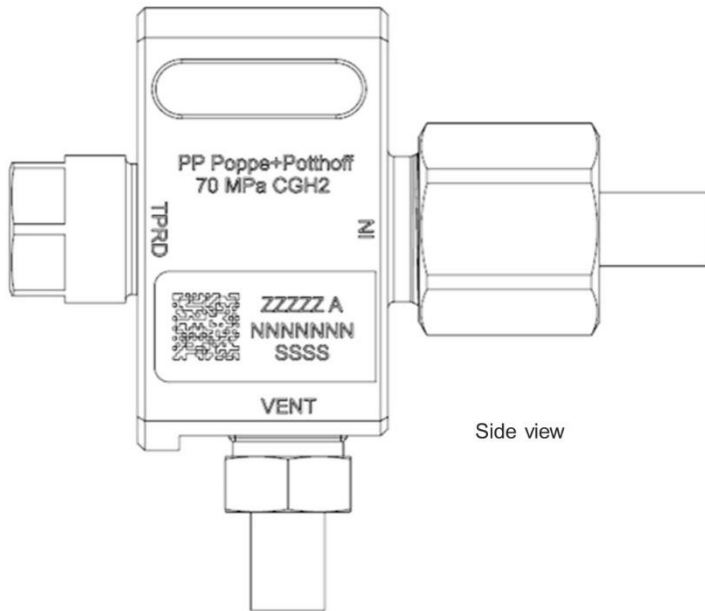


Remote TPRD (Thermal Pressure Relief Device)	
Technical data	
Height	60 mm
Width	68.5 mm
Thickness	30 mm
Weight	approx. 175 g
Height TPRD (mounted)	17.3 mm
Min. Flow diameter	4.4 mm
Material	Aluminum, Stainless steel, Glass
Sealing type	O-ring, Metal-to-metal
Interfaces   Thread definitions   Ports	
TPRD	M20x1.5
Pipe connection (IN)	M22x1.5
Pipe connection (VENT)	M16x1.5

Remote TPRD (Thermal Pressure Relief Device)	
Operating conditions	
Operating temperature	-40 to +85 °C
Nominal working pressure	700 bar
Maximum allowed working pressure	875 bar
Proof pressure	1050 bar
Medium	Hydrogen (CGH2)
Leak rate (acc. UN/ECE R134)	< 10 Ncm <sup>3</sup> /h
Trigger conditions	
Trigger temperature	110±5 °C
Kv (p <sub>1</sub> = 700 bar, p <sub>2</sub> = 1 bar)	0.68
Cv (p <sub>1</sub> = 700 bar, p <sub>2</sub> = 1 bar)	0.77

Technical features

Different perspectives (incl. pipe connections)



## Certification & safety information

The product may only be used after installation by qualified personnel according to the corresponding installation guide. Usage for production of commercial goods is only permitted in certified countries. Otherwise, the product may only be used for testing purposes. Storage concept and period must be agreed between P+P and end customer.

### Standards | Certificates

#### Europe

UN/ECE R134.01	Certified
UN/ECE R134.02	Certification on request
EU 2021/535	Certified

#### Greater China (China, Taiwan, Hong Kong, Macau)

GB/T 42536-2023	Certification on request
-----------------	--------------------------

#### North America (USA, Canada)

CSA/ANSI HPRD 1:21	Certification on request
--------------------	--------------------------

#### Global

ISO 19887:2024	Certification on request
----------------	--------------------------

### Poppe + Potthoff GmbH

Dammstraße 17  
 33824 Werther  
 Germany  
 Phone: +49 (0) 5203 9166 0  
 Fax: +49 (0) 5203 9166 100  
[info@poppe-potthoff.com](mailto:info@poppe-potthoff.com)  
[www.poppe-potthoff.com](http://www.poppe-potthoff.com)

TOPAQ is a Poppe + Potthoff brand

